



Field or Factory Installable **K-MASS[®] FI** Intumescent Epoxy Shells for New or Installed Limit Switches



K-MASS *FI* INSTALLATION MANUAL

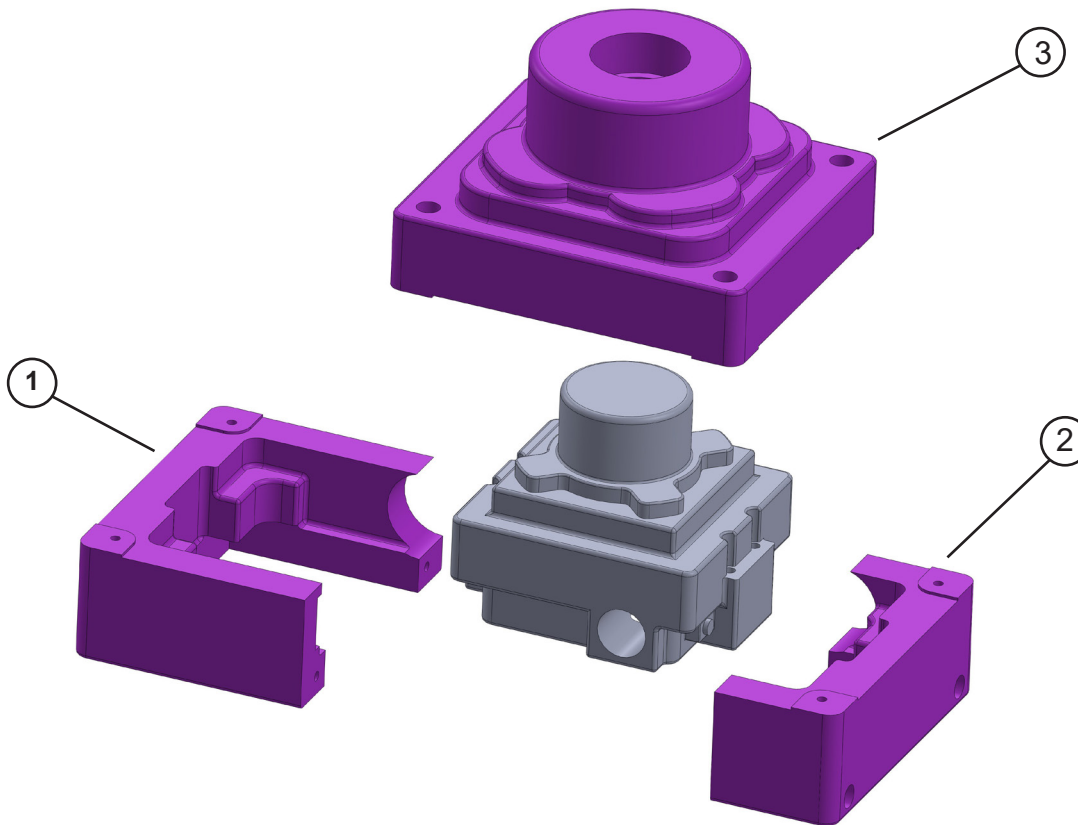
Topworx TXP Limit Switch

TopWorx TXP Limit Switch

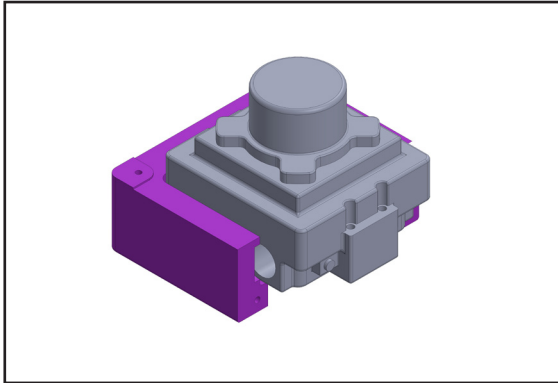
Part Numbers			
Item	Description	Part Numbers	Qty
1	TXP P2C Bracket Split 1	FQTXP-P2C-1001	1
2	TXP P2C Bracket Split 2	FQTXP-P2C-1002	1
3	TXP P2C Beacon Top	FQTXP-P2C-1003	1

Required Tools and Hardware	
Item	Qty
5 mm - Allen Key	1

Fasteners and Parts included with Kit		
Type	Size	Qty
Socket Head Cap Screw	M6-20	6

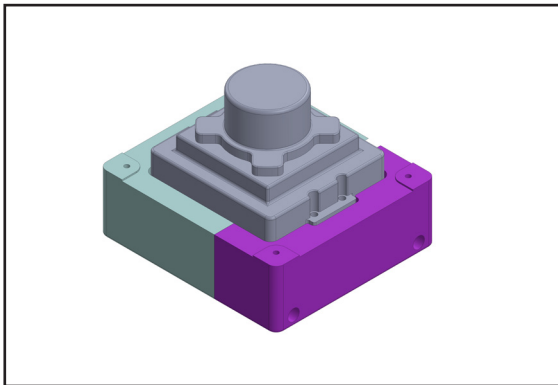


TopWorx TXP Limit Switch



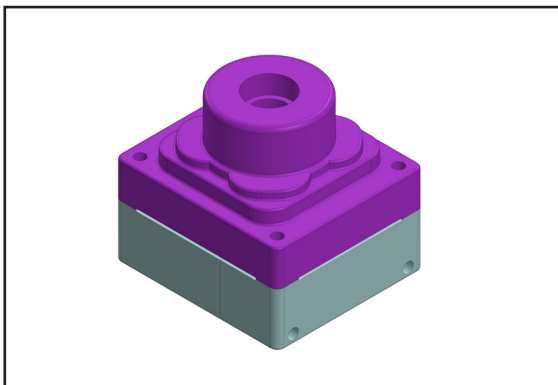
Step 1

Fit Bracket Split (FQTXP-ES1-1001) under the TXP Limit Switch box and hold it in place.



Step 2

Fit Bracket Split 2 (FQTXP-ES1-1002) to the Bracket Split 1 Shell using (1) - M6-20 socket head cap screw.



Step 3

Fit Beacon Top (FQTXP-ES1-1004) on top of the assembled Bracket Split 1 and 2 using (4) - M6-20 socket head cap screws.

**TopWorx DXP
Limit Switch
Installation Manual**



**TopWorx TXP
Limit Switch
Installation Manual**



Safety is our top priority. Ensure all safety measures are adhered to in accordance with the site, location and regulatory standards. Assemble all fasteners loosely at first, and hand-tighten upon completion of assembly. Do NOT over torque any fasteners, doing so could damage the threaded insert or K-MASS.

Thermal Designs, Inc. - US
5352 Prudence Street
Houston, Texas 77045 USA
Phone: +1 713-433-8110
ussales@tdikmass.com

Thermal Designs LTD UK - UK
Broadway Market Lavington Devizes
Wiltshire, England UK SN10 5RQ
Phone: +44 (0) 1380 87079
uksales@tdikmass.com

Thermal Designs, Inc. - CA
Unit 1, 5220 Duncan Ave
Blackfalds, Alberta T0M 0J0
Phone: +1 403-391-1578
casales@tdikmass.com

**K-MASS Thermal Equipment
Middle East FZCO**
P.O. Box 7954, Jebel Ali Free Zone
Dubai, United Arab Emirates
Phone: +971 4 806-710
mesales@tdikmass.com