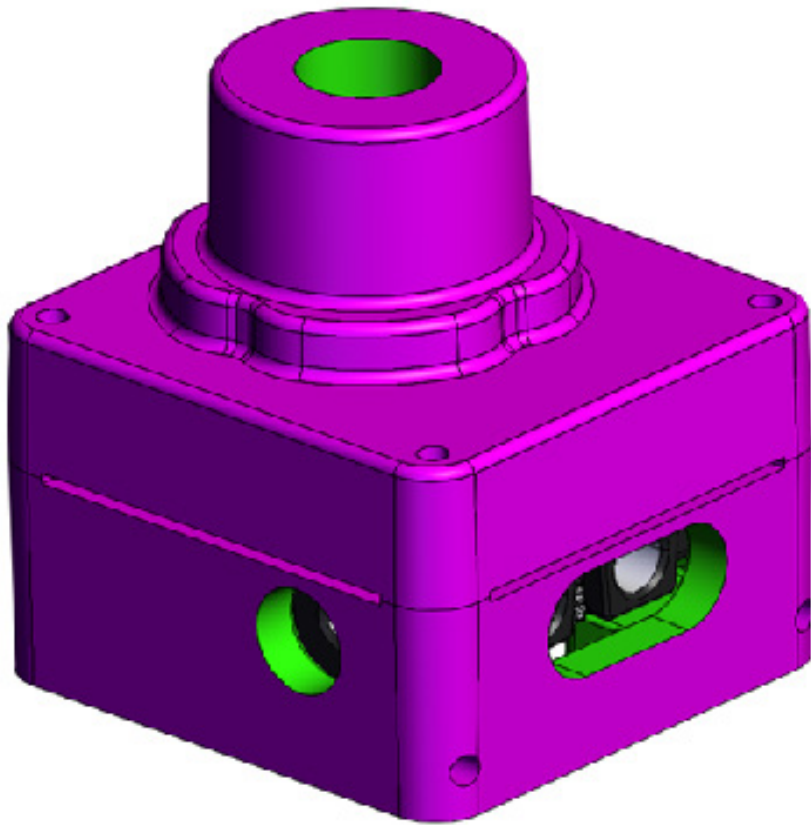




Field or Factory Installable **K-MASS**[®] *FI* Intumescent
Epoxy Shells for New or Installed Limit Switches



K-MASS *FI*
INSTALLATION MANUAL

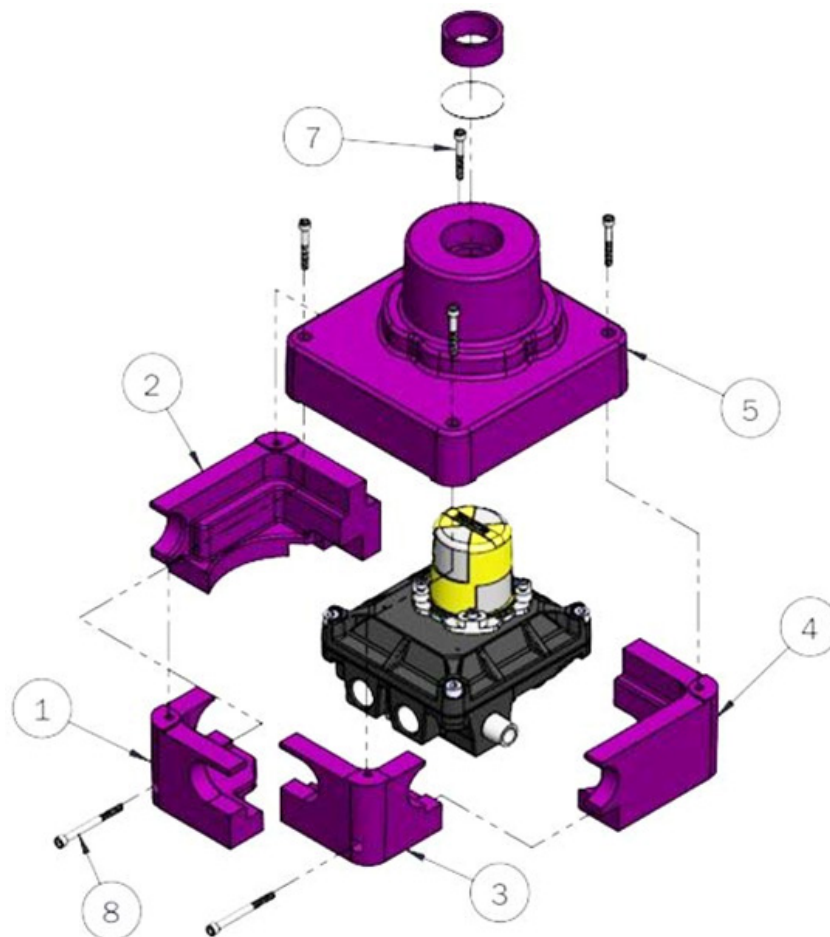
WESTLOCK C-9479 LIMIT SWITCH

WESTLOCK C-9479 Limit Switch

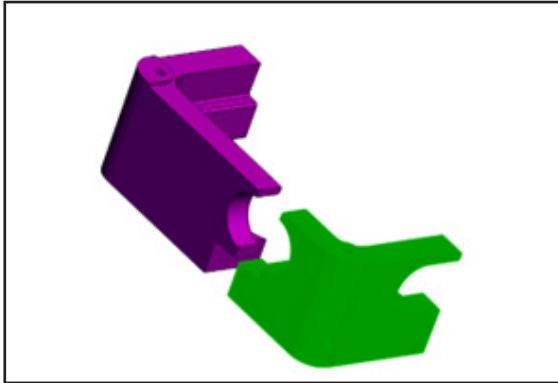
Part Numbers			
Item	Description	Part Numbers	Qty
1	C-9479 Bracket Split 1 Shell	FWSLK-34-22851-0111	1
2	C-9479 Bracket Split 2 Shell	FWSLK-34-22851-0112	1
3	C-9479 Bracket Split 3 Shell	FWSLK-34-22851-0121	1
4	C-9479 Bracket Split 4 Shell	FWSLK-34-22851-0122	1
5	C-9479 Beacon Top Shell	FWSLK-34-22851-0200	1

Required Tools and Hardware	
Item	Qty
5 mm - Allen Key	1

Fasteners and Parts included with Kit		
Type	Size	Qty
Socket Head Cap Screw	M6-30	6

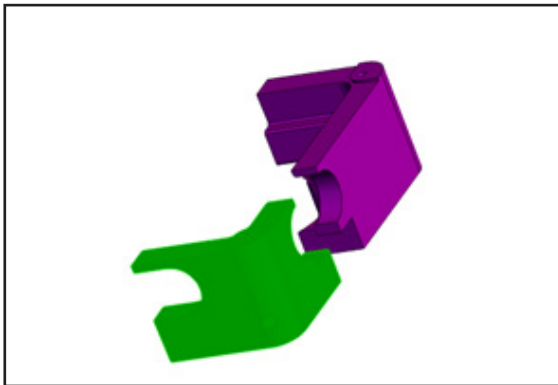


WESTLOCK C-9479 Limit Switch



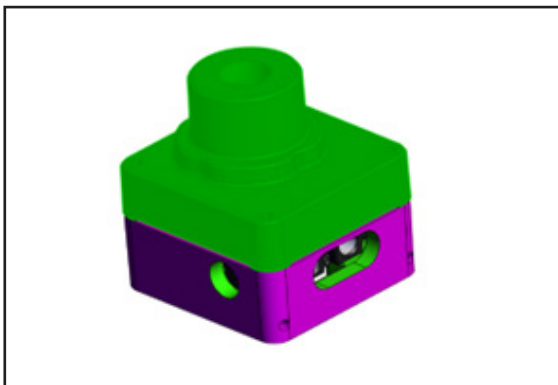
Step 1

Place the Bracket Split 2 Shell (FWSLK-34-22851-0112) under the Limit Switch box and hold it in place. Fit Bracket Split 1 (FWSLK-34-22851-0111) using the (1) M6-30 socket head cap screw.



Step 2

Place the Bracket Split 4 Shell (FWSLK-34-22851-0122) under the limit switch box and hold it in place. Fit Bracket Split 3 Shell (FWSLK-34-22851-0121) using (1) M6-30 socket head cap screw.

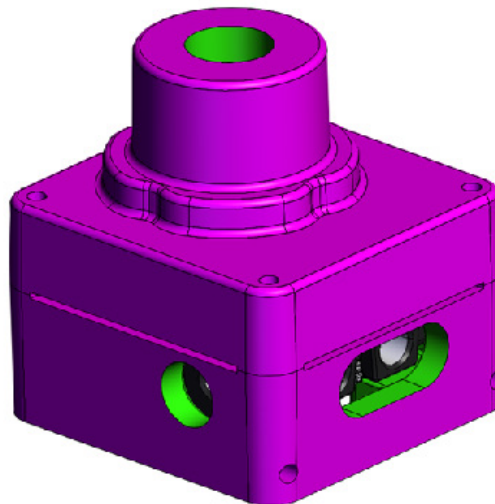


Step 3

Fit the Beacon Top Shell (FWSLK-34-22851-0200) on top of the assembled bracket splits using (4) M6-30 screws.



WESTLOCK C-9479 Limit Switch Installation Manual



*Safety is our top priority. Ensure all safety measures are adhered to in accordance with the site, location and regulatory standards. Assemble all fasteners loosely at first, and hand-tighten upon completion of assembly. Do NOT over torque any fasteners, doing so could damage the threaded insert or **K-MASS**.*

Thermal Designs, Inc. - US
5352 Prudence Street
Houston, Texas 77045 USA
Phone: +1 713-433-8110
ussales@tdikmass.com

Thermal Designs LTD UK - UK
Broadway Market Lavington Devizes
Wiltshire, England UK SN10 5RQ
Phone: +44 (0) 1380 87079
uksales@tdikmass.com

Thermal Designs, Inc. - CA
Unit 1, 5220 Duncan Ave
Blackfalds, Alberta T0M 0J0
Phone: +1 403-391-1578
casales@tdikmass.com

**K-MASS Thermal Equipment
Middle East FZCO**
P.O. Box 7954, Jebel Ali Free Zone
Dubai, United Arab Emirates
Phone: +971 4 806-710
mesales@tdikmass.com