



Field or Factory Installable **K-MASS**[®] *FI* Intumescent
Epoxy Shells for New or Installed Limit Switches



K-MASS *FI* INSTALLATION MANUAL

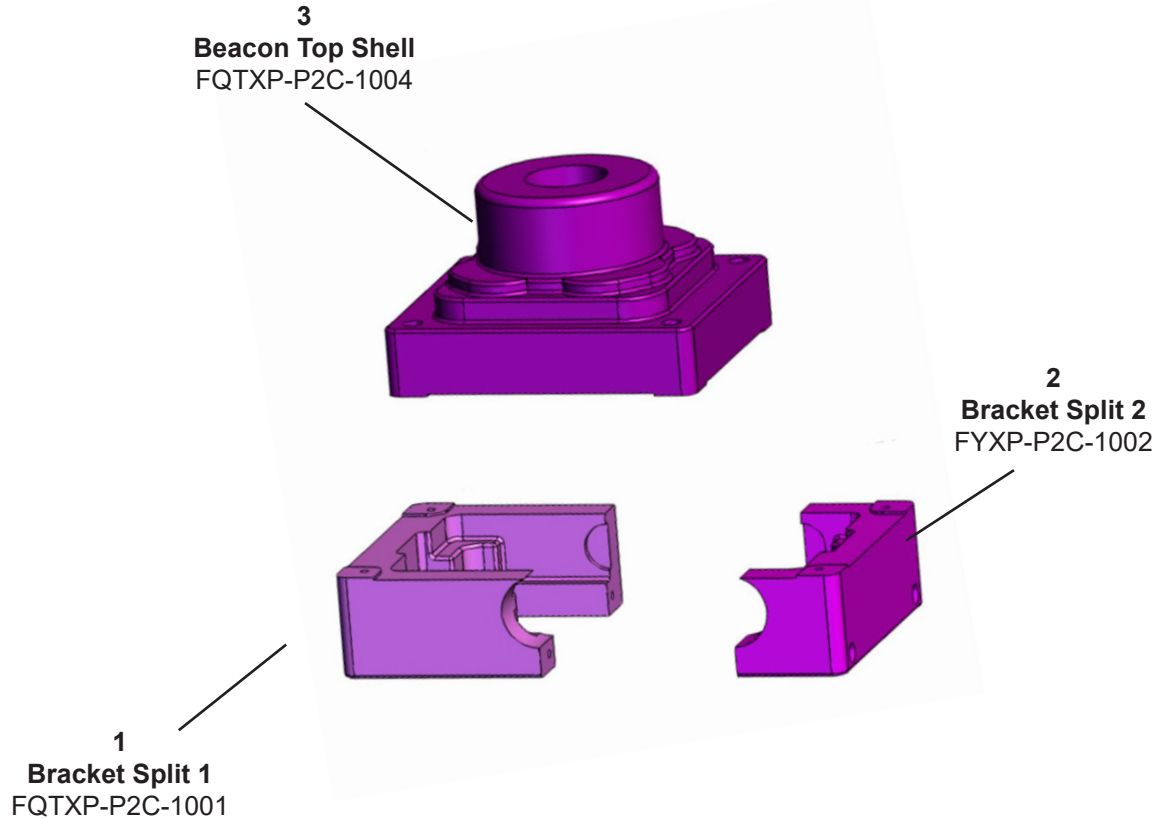
Topworx TXP Limit Switch

TopWorx TXP Limit Switch

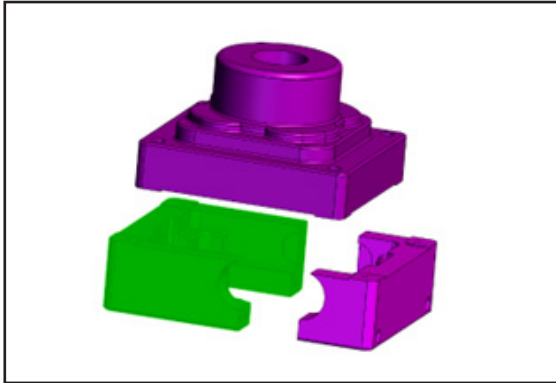
Part Numbers			
Item	Description	Part Numbers	Qty
1	TXP P2C Bracket Split 1 Shell	FQTXP-P2C-1001	1
2	TXP P2C Bracket Split 2 Shell	FQTXP-P2C-1002	1
3	TXP P2C Beacon Top Shell	FQTXP-P2C-1003	1

Required Tools and Hardware	
Item	Qty
5 mm - Allen Key	1

Fasteners and Parts included with Kit		
Type	Size	Qty
Socket Head Cap Screw	M6-20	6

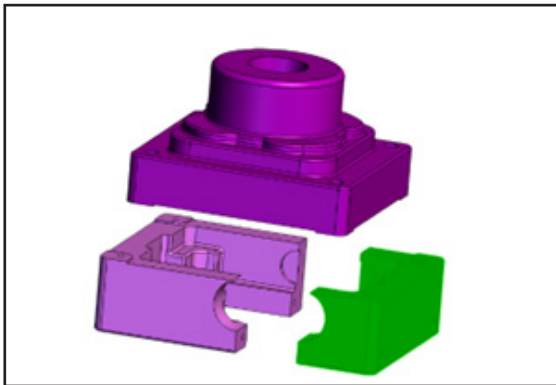


TopWorx TXP Limit Switch



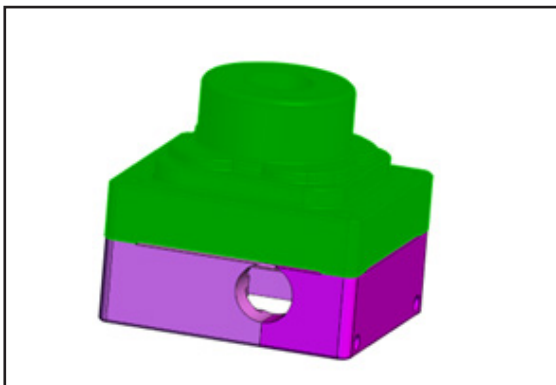
Step 1

Fit Bracket Split 1 Shell (FQTXP-ES1-1001) under the TXP Limit Switch box and hold it in place.



Step 2

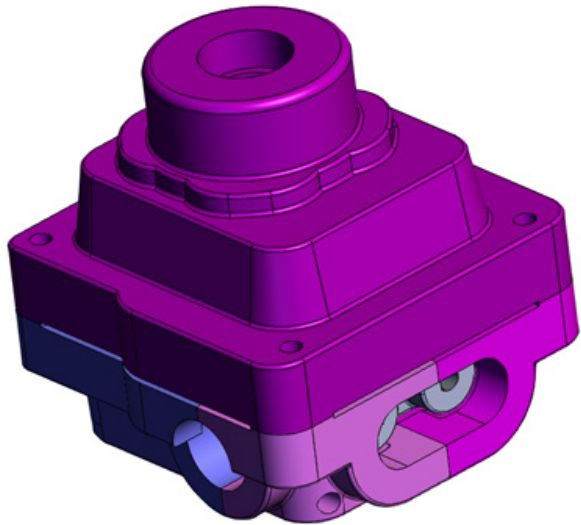
Fit Bracket Split 2 Shell (FQTXP-ES1-1002) to the Bracket Split 1 Shell using (1) - M6-20 socket head cap screw.



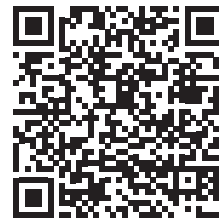
Step 3

Fit Beacon Top Shell (FQTXP-ES1-1004) on top of the assembled Bracket Split 1 and 2 using (4) - M6-20 socket head cap screws.

TopWorx DXP Limit Switch Installation Manual



TopWorx TXP Limit Switch Installation Manual



*Safety is our top priority. Ensure all safety measures are adhered to in accordance with the site, location and regulatory standards. Assemble all fasteners loosely at first, and hand-tighten upon completion of assembly. Do NOT over torque any fasteners, doing so could damage the threaded insert or **K-MASS**.*