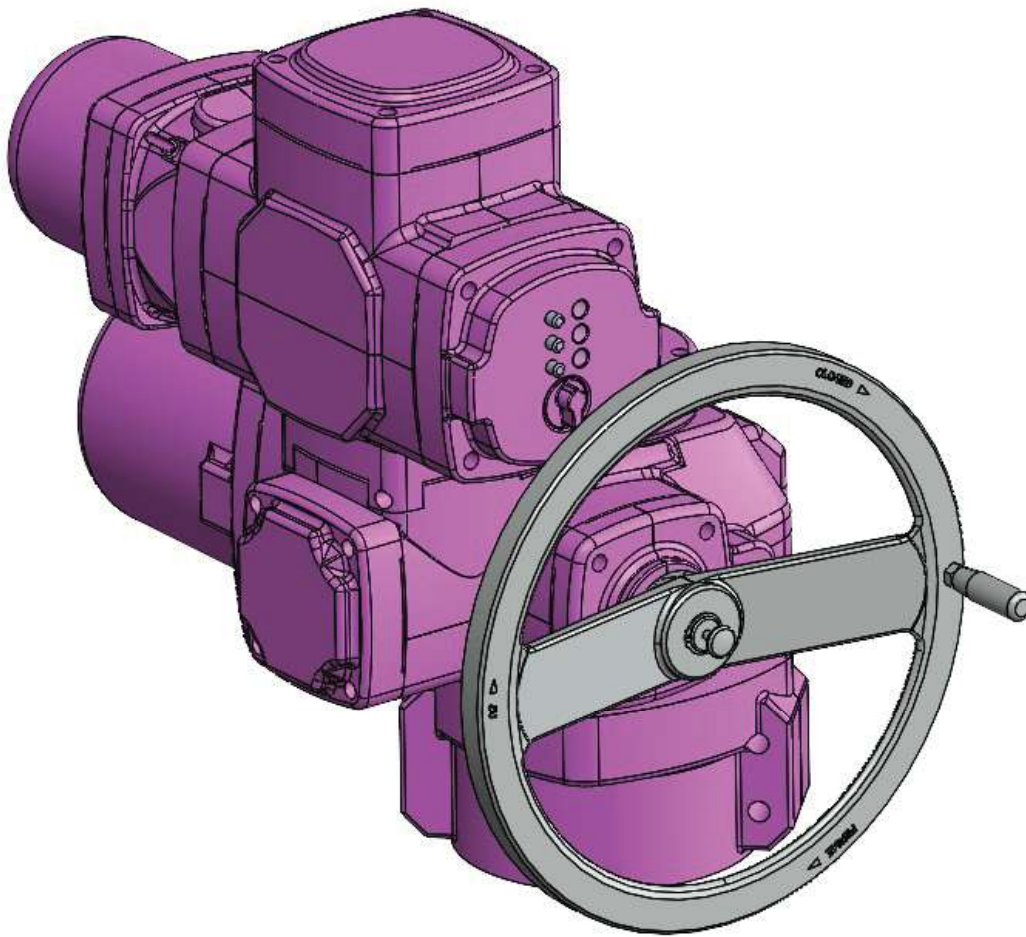




Field or Factory Installable **K-MASS**[®] *FI*
Intumescent Epoxy Covers for New or Installed
Actuators



K-MASS *FI*
INSTALLATION MANUAL

AUMA SAEX 14.2
ACTUATORS

AUMA SAEX 14.2

Actuators

PART NUMBERS			
Item	Description	Part Number	Qty
KIT	K-MASS FI Kit for SAEX 7.2 - Complete Kit	FASAEX-14000	1
KIT	K-MASS FI Kit for SAEX 7.2 - Gearcase Cover Only	FASAEX-14001	1
1	Gearcase Cover Handwheel Side Top	FASAEX-14201	1
2	Gearcase Cover Handwheel Side Bottom	FASAEX-14202	1
3	Gearcase Cover Motor Side Top 1	FASAEX-14203	1
4	Gearcase Cover Motor Side Top 2	FASAEX-14204	1
5	Gearcase Cover Motor Side Bottom 1	FASAEX-14205	1
6	Gearcase Cover Motor Side Bottom 2	FASAEX-14206	1
7	Stem Cap Cover - Closed	FASAEX-14207	1
8	Motor Cover	FASAEX-14208	1
9	Handwheel Cover	FASAEX-14209	2
10	Thrust Base Half	FASAEX-14210	2
11	Gearcase Cover Deckel Cover	FASAEX-C001	1
KIT	K-MASS FI Kit for 7.2 - Controls Cover Only	FASAEX-14002	1
12	Controls Cover Deckel Cover Side 1	FASAEX-C002	1
13	Controls Cover Deckel Cover Side 2	FASAEX-C003	1
14	Controls Cover Gearcase Side 1	FASAEX-C004	1
15	Controls Cover Gearcase Side 2	FASAEX-C005	1
16	Controls Cover Deckel Cover	FASAEX-C006	1
17	Controls Cover Frame	FASAEX-C007	2
18	Controls Cover Back Cover	FASAEX-C008	1
19	Controls Cover Controls Cover	FASAEX-C009	1
20	Controls Cover Knob	FASAEX-C010	1
21	Controls Cover Conduit Cover	FASAEX-C011	2
	3M Fire Barrier Caulk (Tube)	FI-0001	1
	Box Primary/ Spare Fasteners	FASAEX-14310	1
	Installation Manual	FASAEX-14320	1

AUMA SAEX 14.2

Actuators

TOOLS and HARDWARE REQUIRED

ITEM
5 mm Hex-Key
6 mm Hex-Key
6 mm Hex-Key - 8 in. long

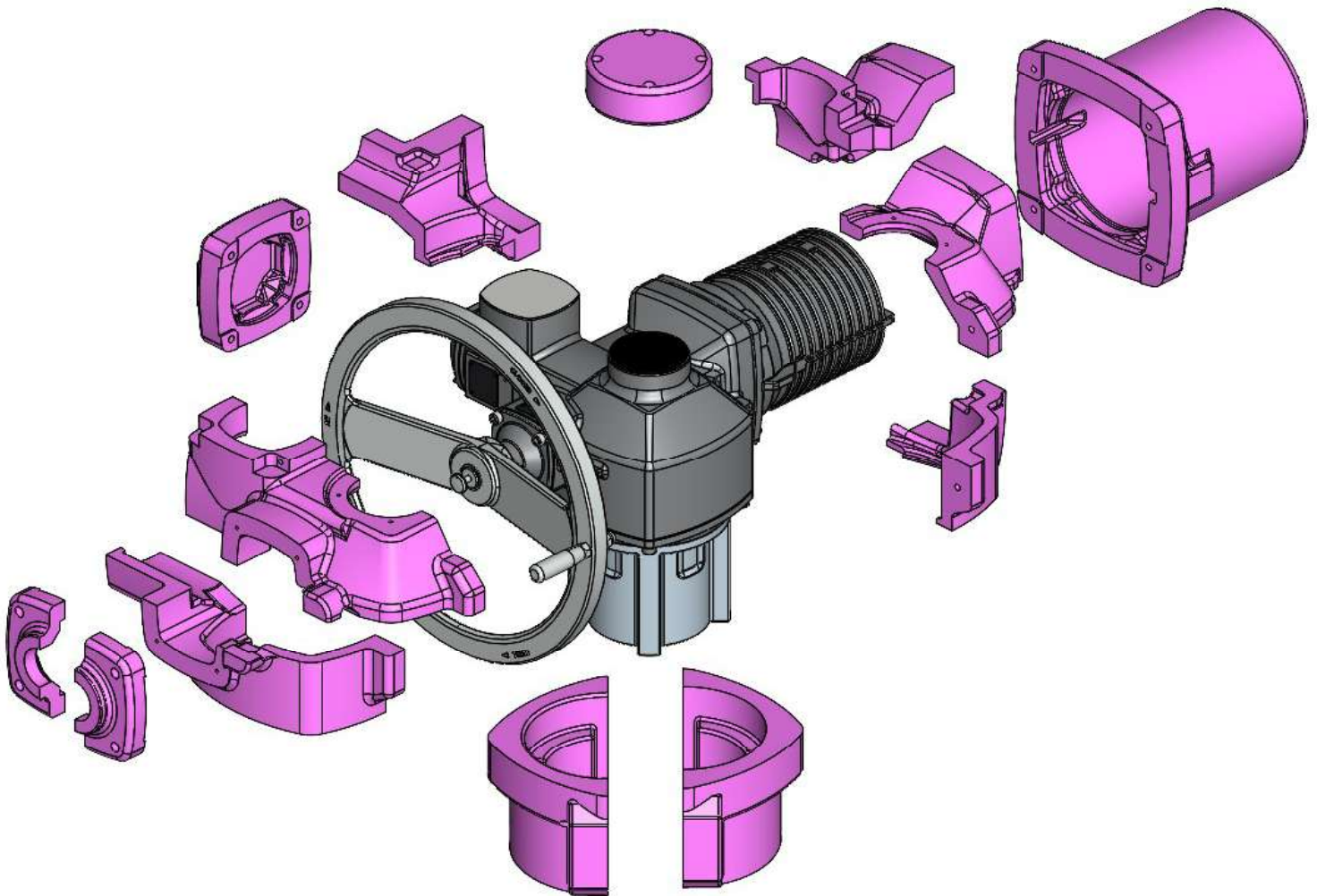
FASTENERS INCLUDED WITH KIT

SOCKET HEAD CAP SCREWS		
SIZE	REQUIRED	SPARES
M6 - 25	8	3
M8 x 30	35	3

AUMA SAEX 14.2

Actuators

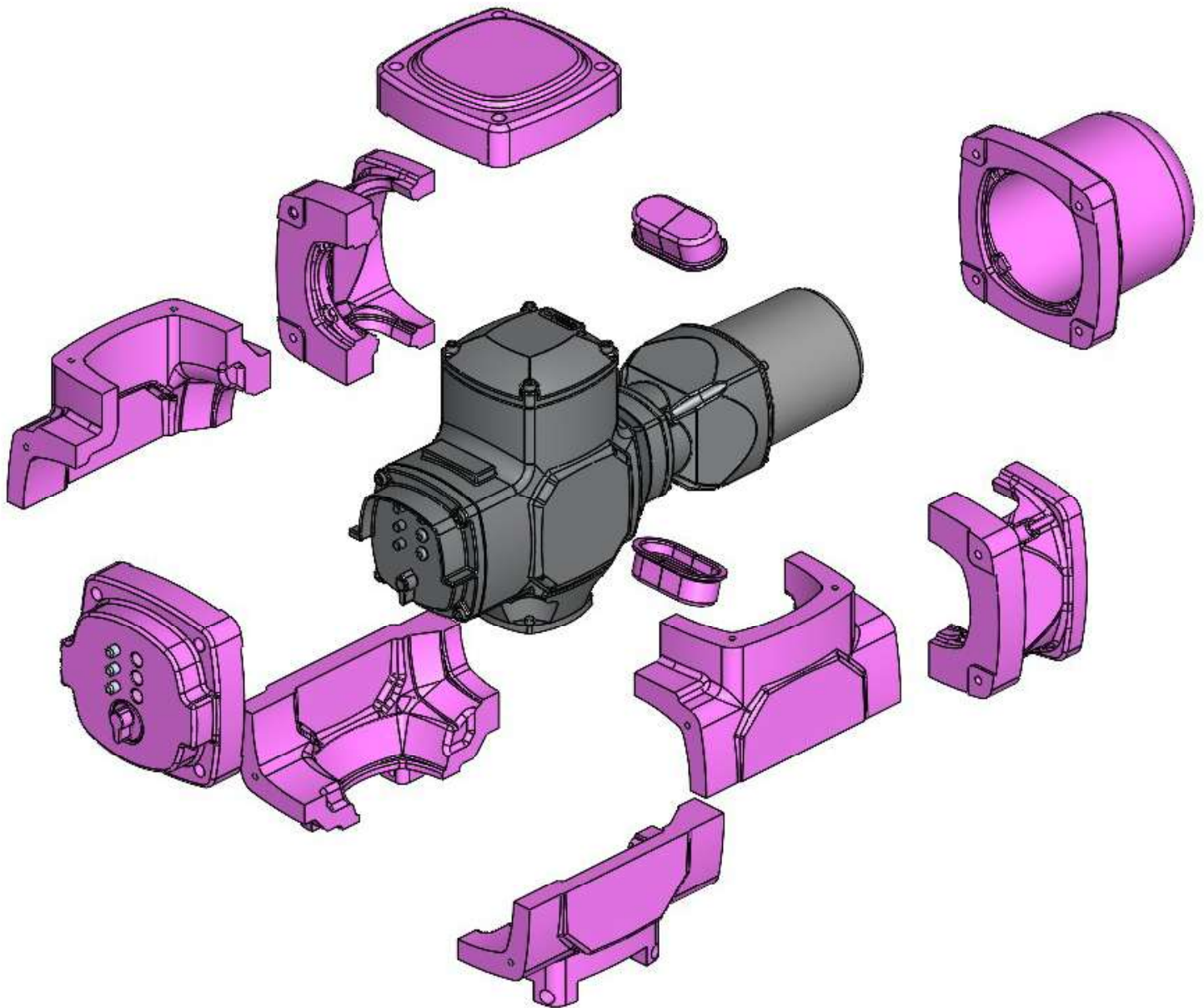
Gearcase Assembly (Lower)



AUMA SAEX 14.2

Actuators

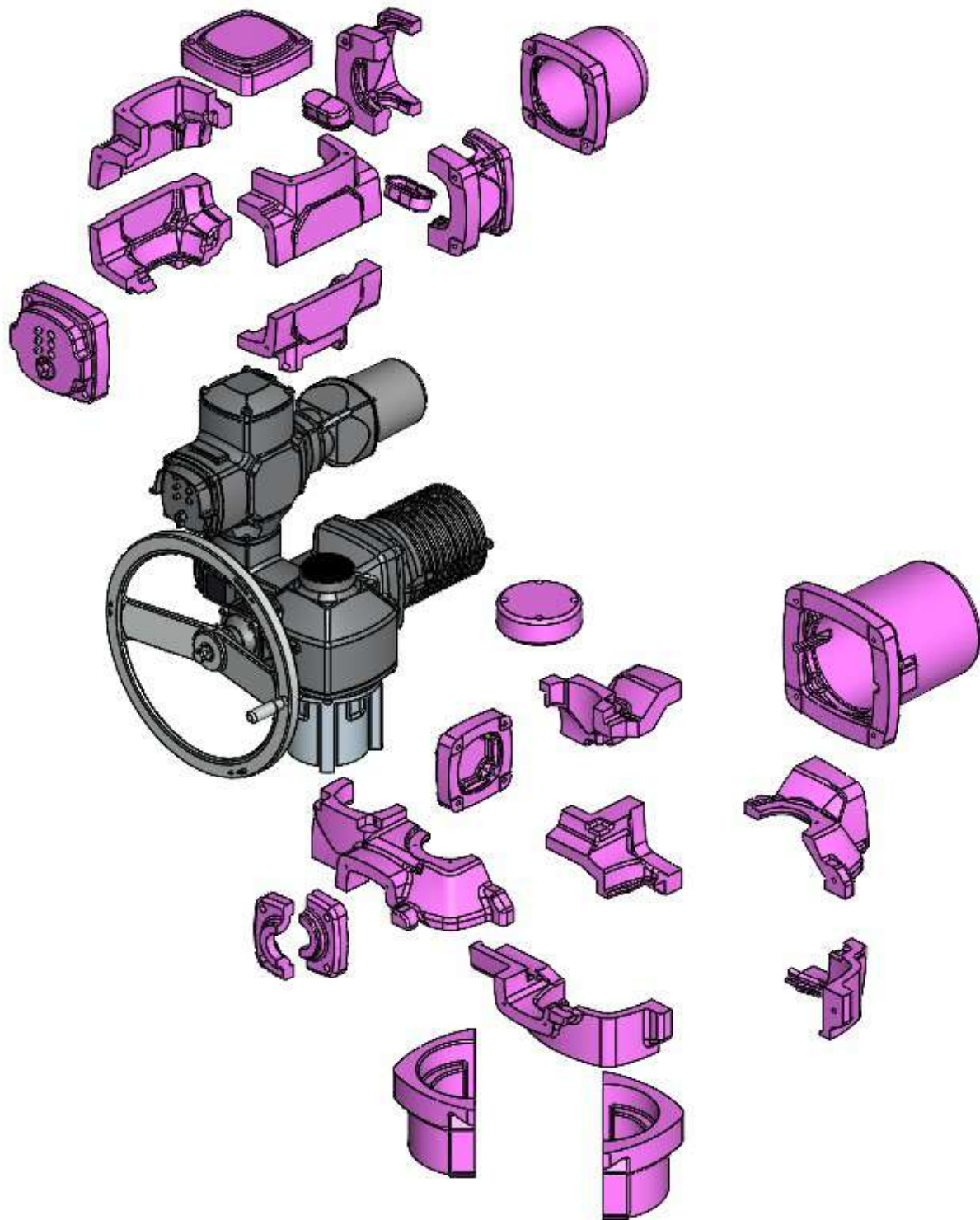
Controls Assembly (Upper)



AUMA SAEX 14.2

Actuators

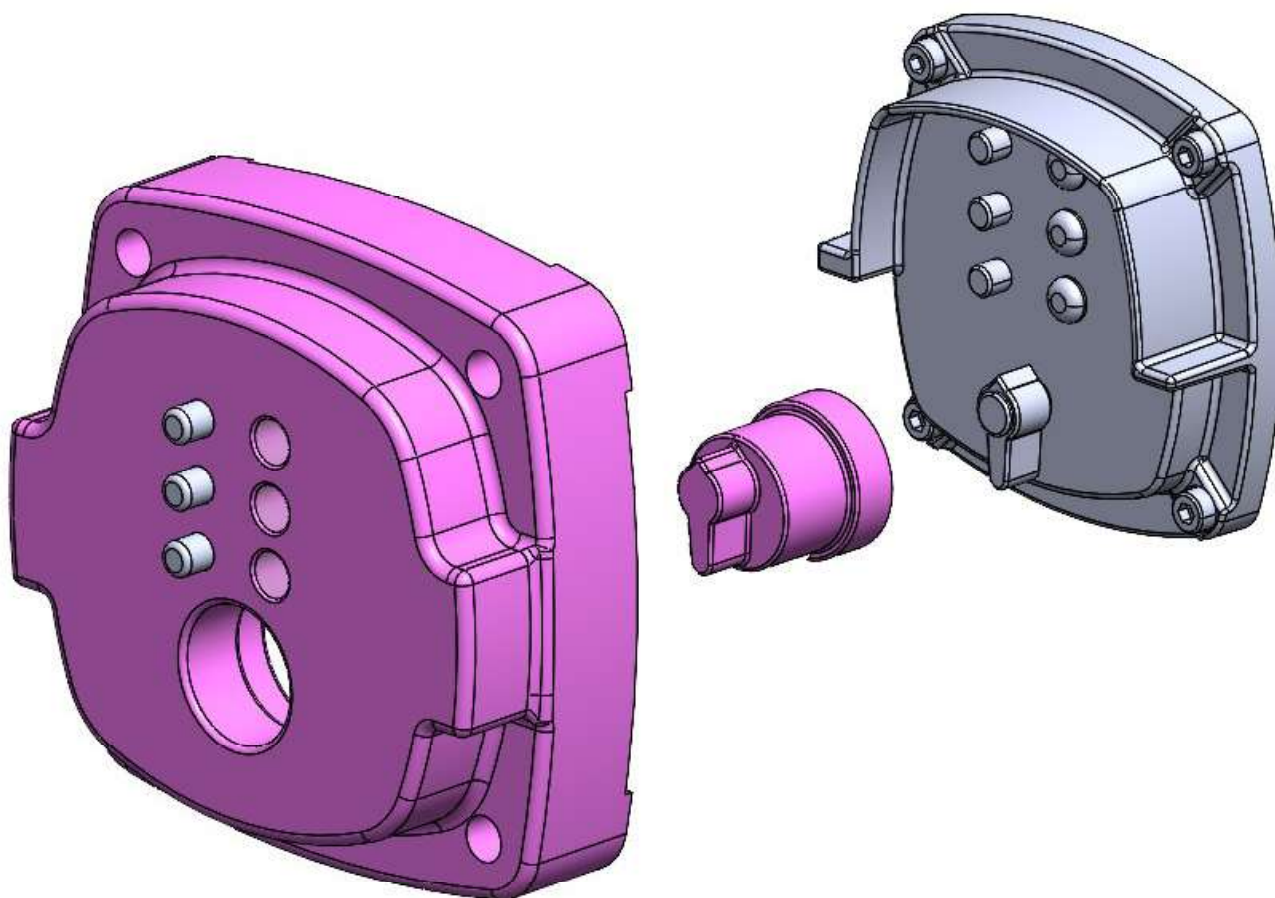
Complete Assembly



AUMA SAEX 14.2

Actuators

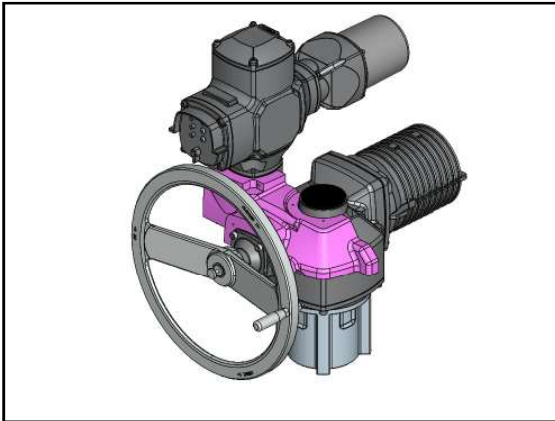
Controls Cover Knob Assembly



VERY IMPORTANT!

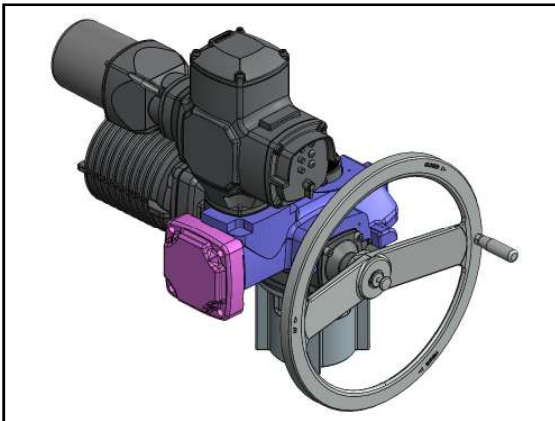
PLEASE leave all fasteners slightly loose to aid in aligning parts during installation. When all parts are installed, go back and **HAND TIGHTEN ONLY** to 15 ft/ lbs.

GEARCASE COVER



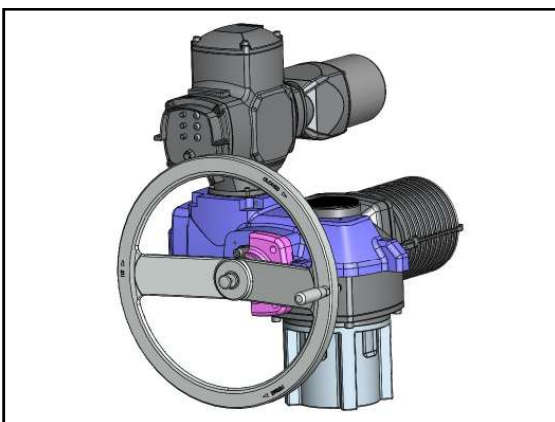
Step 1

Place Gearcase Cover Handwheel Side Top (FASAEX-14201) as shown.



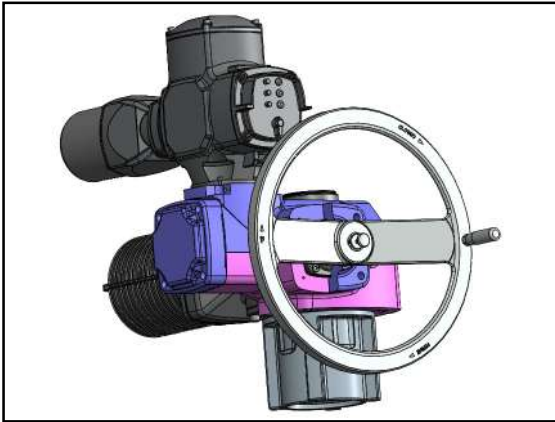
Step 2

Attach Gearcase Cover Deckel Cover (FASAEX-C001) to Handwheel Side Top with (1) M8 x 30 socket head cap screw.



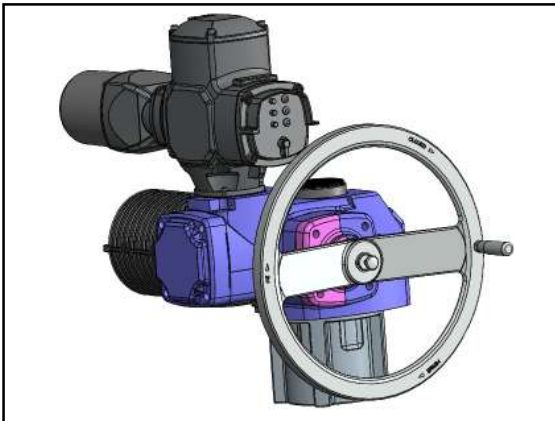
Step 3

Attach Gearcase Cover Handwheel Cover half (FASAEX-14209) to Gearcase Cover Handwheel Side Top (FASAEX-14201) with (1) M6 x 25 socket head cap screw.



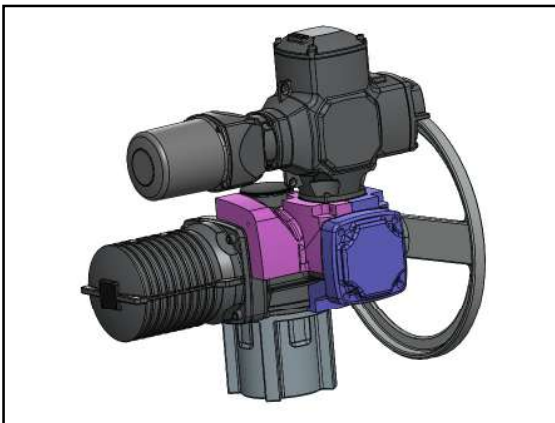
Step 4

Place Gearcase Cover Handwheel Side Bottom (FASAEX-14202) and attach to Gearcase Cover Deckel Cover (FASAEX-14211) and to Gearcase Cover Handwheel Side Top (FASAEX-14201) with (2) M8 x 30 socket head cap screws.



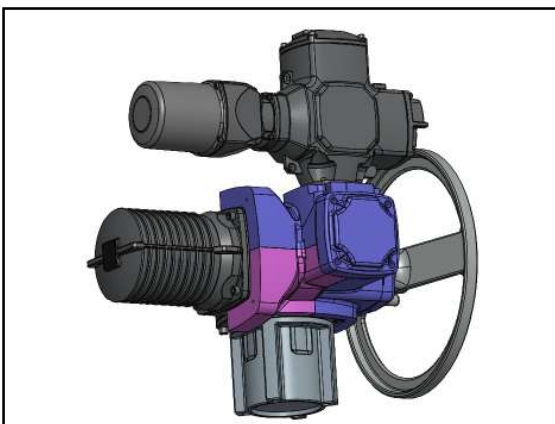
Step 5

Attach the second Gearcase Cover Handwheel Cover half (FASAEX-14209) to Handwheel Side Bottom (FASAEX-14202) with (1) M6 x 25 socket head cap screw.



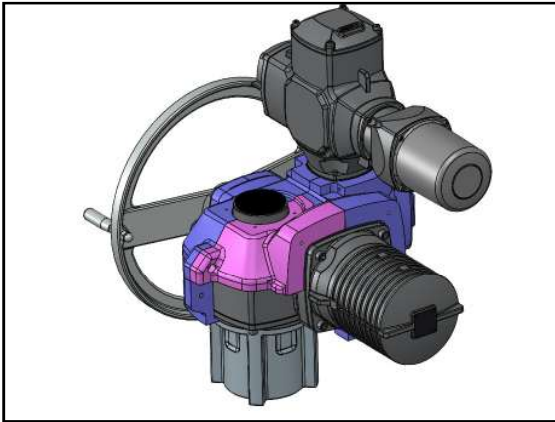
Step 6

Attach Gearcase Cover Motor Side Top1 (FASAEX-14203) to Gearcase Cover Deckel Cover with (1) M8 x 30 socket head cap screw.



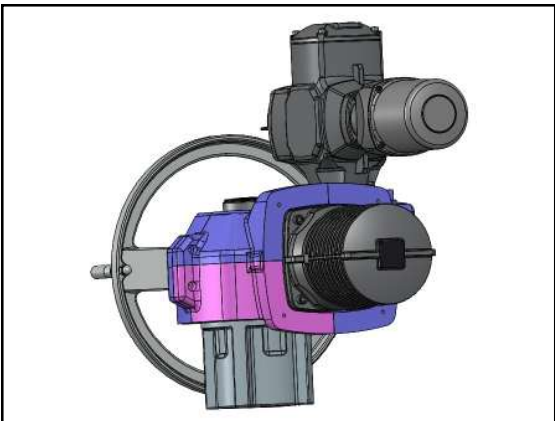
Step 7

Place Gearcase Cover Motor Side Bottom 1 (FASAEX-14205) and attach to Gearcase Cover Deckel Cover with (2) M8 x 30 socket head cap screws.



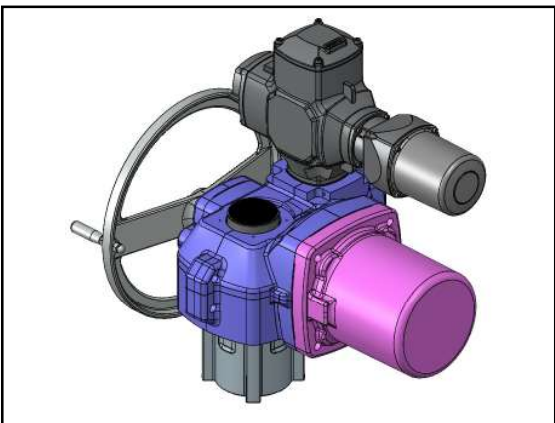
Step 8

Attach Gearcase Cover Motor Side Top 2 (FASAEX-14204) to Gearcase Cover Motor Side Top 1 (FASAEX-14203) and Gearcase Cover Handwheel Side Top (FASAEX-14201) with (1) M8 x 30 socket head cap screw.



Step 9

Attach Gearcase Cover Motor Side Bottom 2 (FASAEX-14206) to Gearcase Cover Motor Side Bottom 1 (FASAEX-14205) and Gearcase Cover Motor Side Top 2 (FASAEX-14204) with (1) M8 x 30 socket head cap screw.



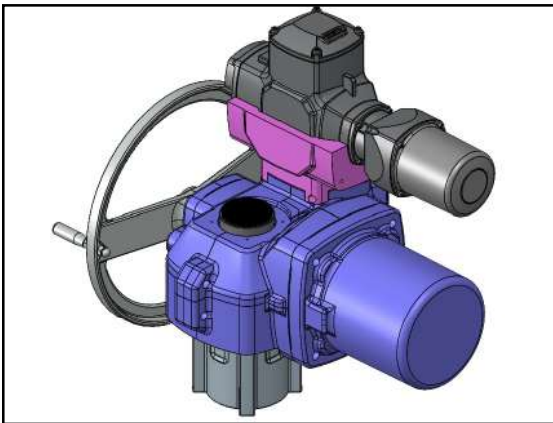
Step 10

Attach Gearcase Cover Motor Cover (FASAEX-14208) to Gearcase Cover Motor Side Top 1 (FASAEX-14201), Motor Side Top 2 (FASAEX-14204), Motor Side Bottom 1 (FASAEX-14205) and Motor Side Bottom 2 (FASAEX-14206) with (4) M8 x 30 socket head cap screws.

VERY IMPORTANT!

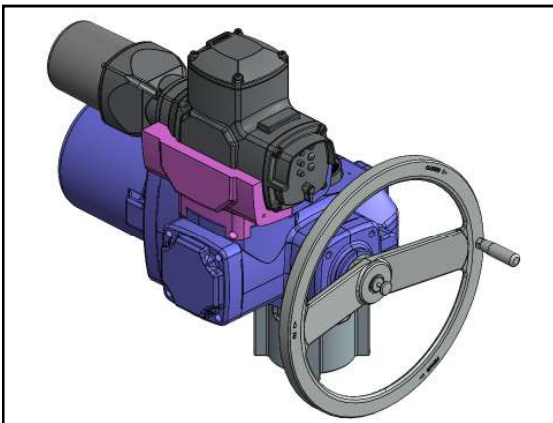
PLEASE leave all fasteners slightly loose to aid in aligning parts during installation. When all parts are installed, go back and **HAND TIGHTEN ONLY** to 15 ft/ lbs.

CONTROLS CASE COVER



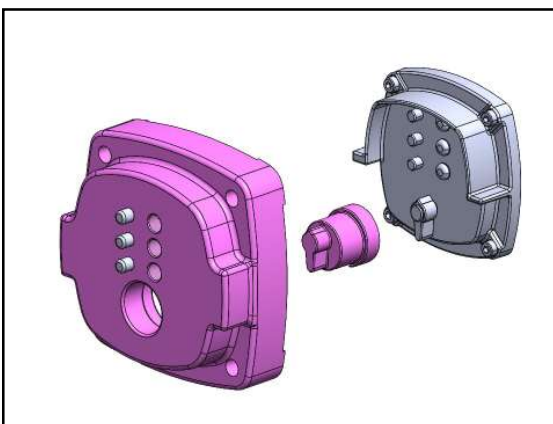
Step 11

Attach Controls Case Gearcase Side 1 (FA-SAEX-C004) to Gearcase Cover Assembly using (2) M8 x 30 socket head cap screws.



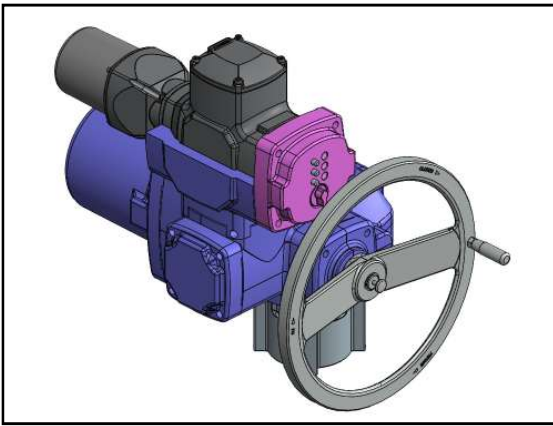
Step 12

Attach Controls Cover Gearcase Side 2 (FASAEX-C005) to Gearcase Cover Assembly using (2) M8 x 30 socket head cap screws.



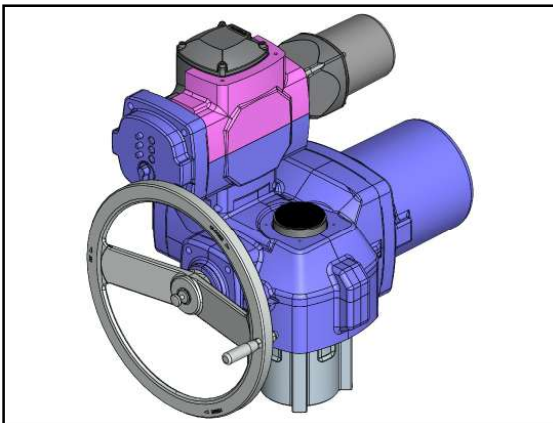
Step 13

Place Control Knob (FASAEX-C010) into the hole in the Controls Cover (FA-SAEX-C009). Ensure the Control Knob matches the orientation of the control knob on the actuator before proceeding to the next step.



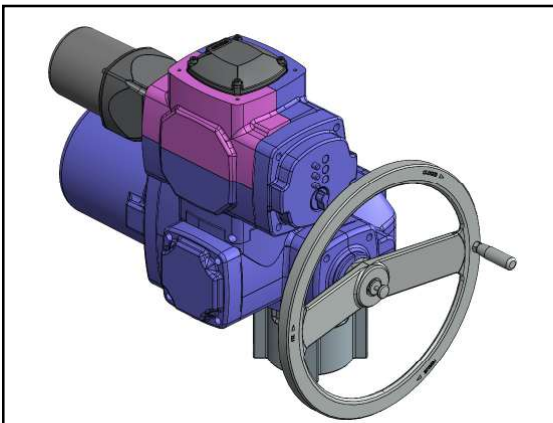
Step 14

Attach Controls Cover (FASAEX-C009) to Controls Cover Gearcase Side 1 (FASAEX C004) and Controls Cover Gearcase side 2 (FASAEX-C005) with (2) M8 x 30 socket head cap screws.



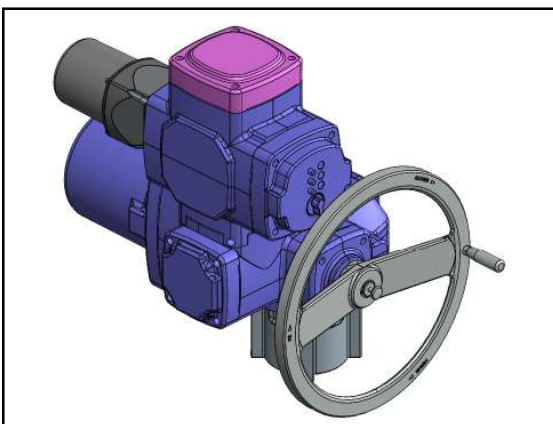
Step 15

Attach Controls Cover Deckel Cover Side 1 (FASAEX-C002) to Controls Cover (FASAEX-C009) with (1) M8 x 30 socket head cap screw.



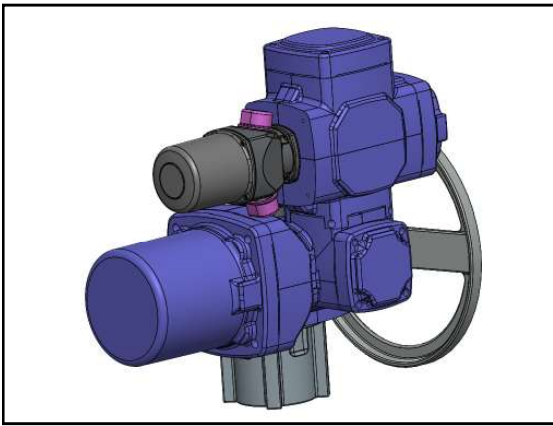
Step 7

Attach Controls Cover Deckel Cover Side 1 (FASAEX-C003) to Controls Cover (FASAEX-C009) with (1) M8 x 30 socket head cap screw.



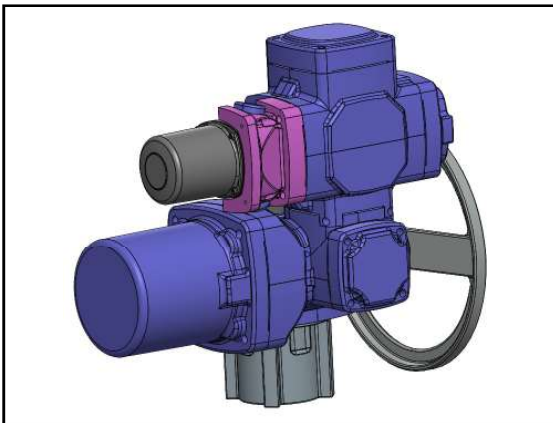
Step 17

Attach Controls Cover Deckel Cover (FASAEX-C006) to Deckel Cover Side 1 (FASAEX-C002) and Deckel Cover Side 2 (FASAEX-C003) with (4) M8 x 30 socket head cap screws.



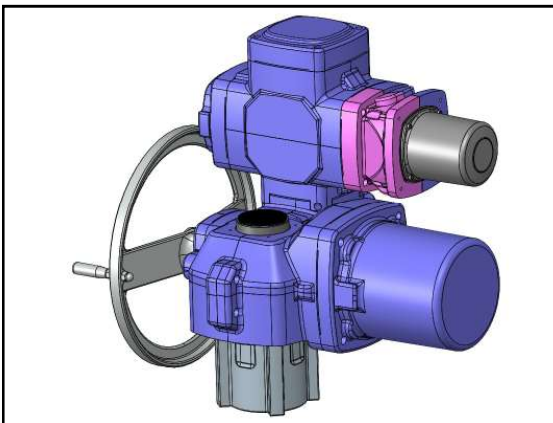
Step 18

Prepare Conduit Covers (FASAEX-C011) by cutting to fit the specific installation requirements and place on the actuator in preparation for the Controls Case Frame (FASAEX-C007) to be attached.



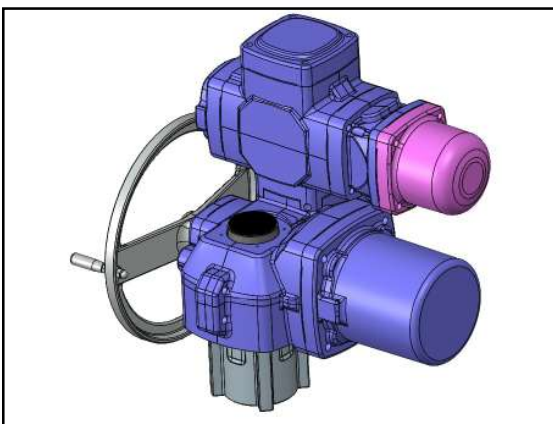
Step 19

Align Conduit Covers while sliding the first Controls Case Frame (FASAEX-C007) in place and attach to Deckel Cover Side 1 and Deckel Cover Side 2 with (2) M8 x 30 socket head cap screws. *NOTE: The threaded holes are aligned with the screws to allow Hex wrench to fit.*



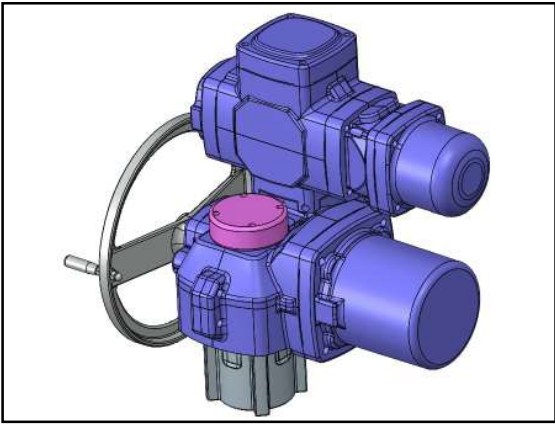
Step 20

Attach the remaining Controls Case Frame (FASAEX-C007) in place and attach to Deckel Cover Side 1 (FASAEX-C002) and Deckel Cover Side 2 (FASAEX-C003) with (2) M8 x 30 socket head cap screws.



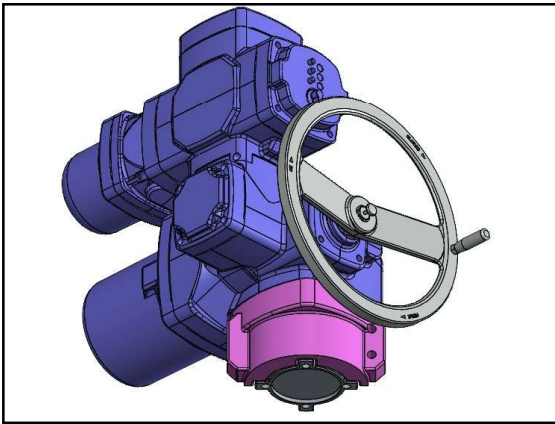
Step 21

Attach the Controls Case Back Cover (FASAEX-C008) to the two Controls Case Frames (FASAEX-C007) with (4) M8 x 30 socket head cap screws.



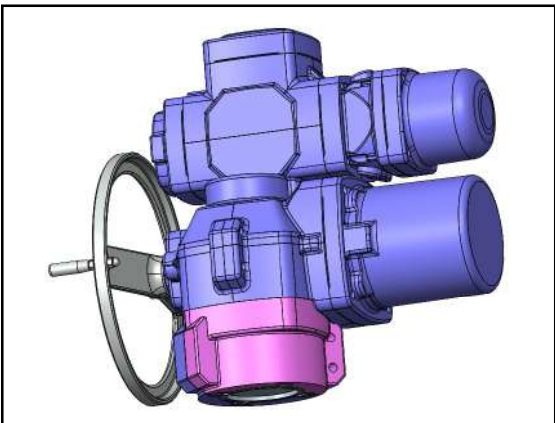
Step 22

Attach Controls Cover Stem Cap Cover (FASAEX-C007) to Motor Side Top 1 (FASAEX-14203) and Motor Side Top 2 (FASAEX-14202) with (4) M6 x 25 socket head cap screws.



Step 23

Place one piece of the Gearcase Cover Thrust Base Covers (FASAEX-14210) to thrust base.



Step 24

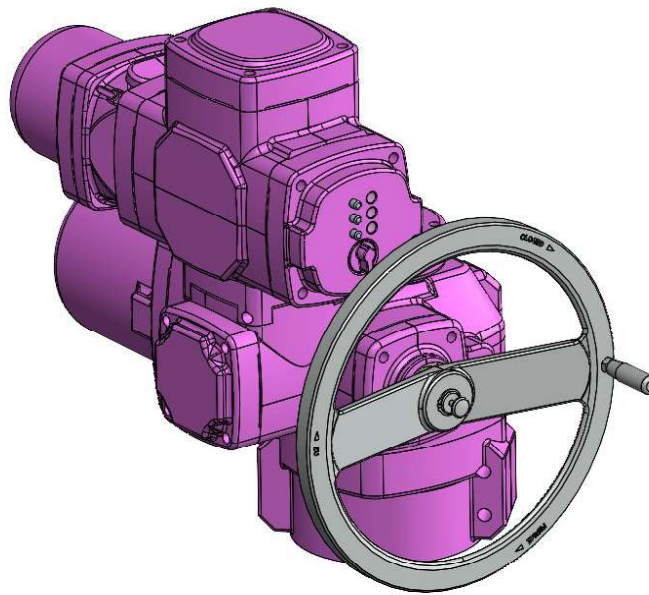
Attach the second Thrust Base Cover (FASAEX-14210) to the first piece with (4) M8 x 30 socket head cap screws.

Step 25

IMPORTANT! FINAL STEPS

1. Hand tighten all socket head bolts to 15 ft/ lbs. Do not over-torque.
2. Completely fill all bolt holes with 3M CP-25WB Fire Barrier Caulk (included).

Completed Assembly **AUMA SAEX - 14.2**



AUMA SAEX 14.2
Installation Manual

Safety is our top priority. Ensure all safety measures are adhered to in accordance with the site, location and regulatory standards. Assemble all fasteners loosely at first, and hand-tighten upon completion of assembly. Do NOT over torque any fasteners, doing so could damage the K-MASS.

Thermal Designs, Inc. - US
5352 Prudence Street
Houston, Texas 77045 USA
Phone: +1 713-433-8110
ussales@tdikmass.com

Thermal Designs LTD UK - UK
Broadway Market Lavington Devizes
Wiltshire, England UK SN10 5RQ
Phone: +44 (0) 1380 87079
uksales@tdikmass.com

Thermal Designs, Inc. - CA
Unit 1, 5220 Duncan Ave
Blackfalds, Alberta T0M 0J0
Phone: +1 403-391-1578
casales@tdikmass.com

**K-MASS Thermal Equipment
Middle East FZCO**
P.O. Box 7954, Jebel Ali Free Zone
Dubai, United Arab Emirates
Phone: +971 4 806-710
mesales@tdikmass.com