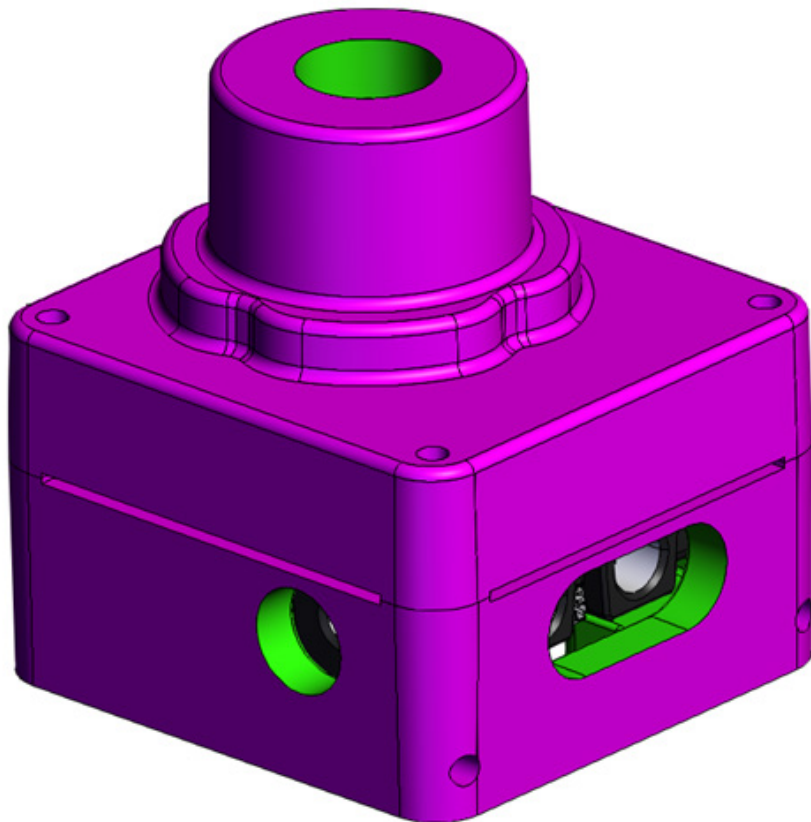




# K-MASS<sup>®</sup>

By Thermal Designs<sup>®</sup>

Field or Factory Installable **K-MASS<sup>®</sup> FI** Intumescent  
Epoxy Shells for New or Installed Limit Switches



## K-MASS *FI* INSTALLATION MANUAL

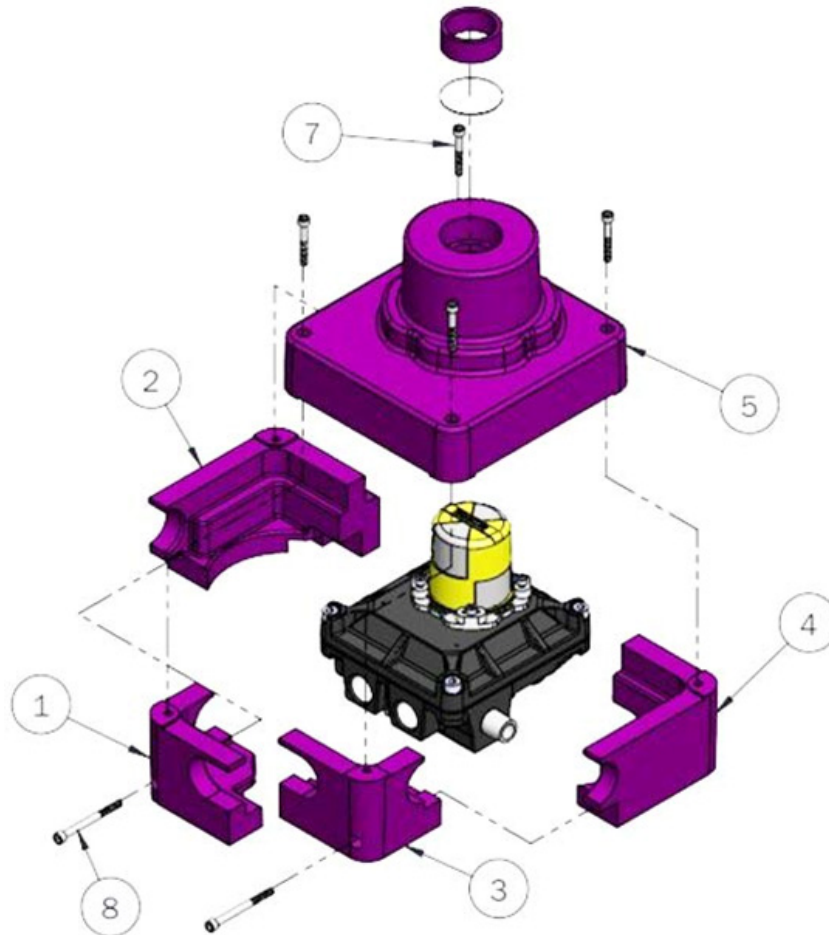
**WESTLOCK C-9479 LIMIT SWITCH**

# WESTLOCK C-9479 Limit Switch

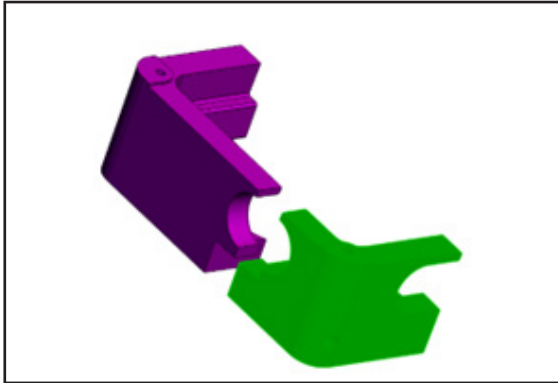
Part Numbers			
Item	Description	Part Numbers	Qty
1	C-9479 Bracket Split 1 Shell	FWSLK-34-22851-0111	1
2	C-9479 Bracket Split 2 Shell	FWSLK-34-22851-0112	1
3	C-9479 Bracket Split 3 Shell	FWSLK-34-22851-0121	1
4	C-9479 Bracket Split 4 Shell	FWSLK-34-22851-0122	1
5	C-9479 Beacon Top Shell	FWSLK-34-22851-0200	1

Required Tools and Hardware	
Item	Qty
5 mm - Allen Key	1

Fasteners and Parts included with Kit		
Type	Size	Qty
Socket Head Cap Screw	M6-30	6

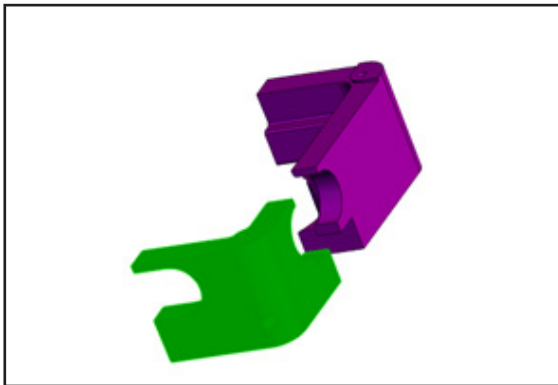


# WESTLOCK C-9479 Limit Switch



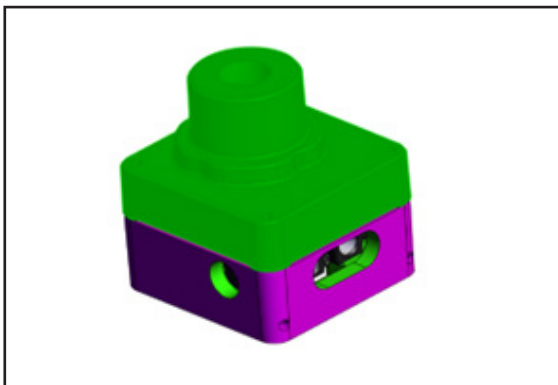
## Step 1

Place the Bracket Split 2 Shell (FWSLK-34-22851-0112) under the Limit Switch box and hold it in place. Fit Bracket Split 1 (FWSLK-34-22851-0111) using the (1) M6-30 socket head cap screw.



## Step 2

Place the Bracket Split 4 Shell (FWSLK-34-22851-0122) under the limit switch box and hold it in place. Fit Bracket Split 3 Shell (FWSLK-34-22851-0121) using (1) M6-30 socket head cap screw.

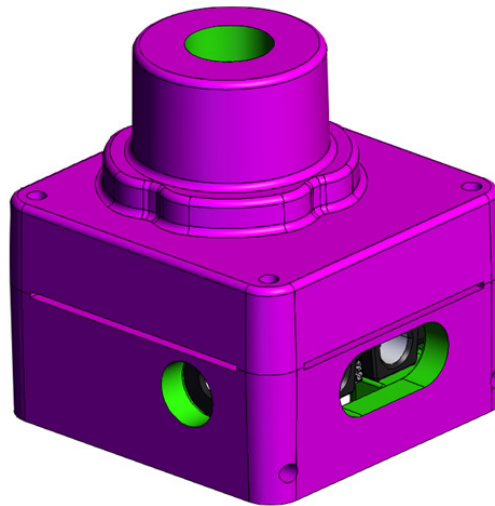


## Step 3

Fit the Beacon Top Shell (FWSLK-34-22851-0200) on top of the assembled bracket splits using (4) M6-30 screws.



## WESTLOCK C-9479 Limit Switch Installation Manual



*Safety is our top priority. Ensure all safety measures are adhered to in accordance with the site, location and regulatory standards. Assemble all fasteners loosely at first, and hand-tighten upon completion of assembly. Do NOT over torque any fasteners, doing so could damage the threaded insert or **K-MASS**.*

**Thermal Designs, Inc. - United States**  
5352 Prudence Street  
Houston, Texas 77045 USA  
Phone: +1 713-433-8110  
ussales@tdikmass.com

**Thermal Designs LTD UK - United Kingdom**  
The Broadway Market Lavington Devises  
Wiltshire, England UK SN10 5RQ  
Phone: +44 (0) 1380 816079  
uksales@tdikmass.com

**Thermal Designs, Inc. - Canada**  
Unit 1, 5220 Duncan Ave  
Blackfalds, Alberta T0M 0J0  
Phone: +1 403-391-1578  
casales@tdikmass.com