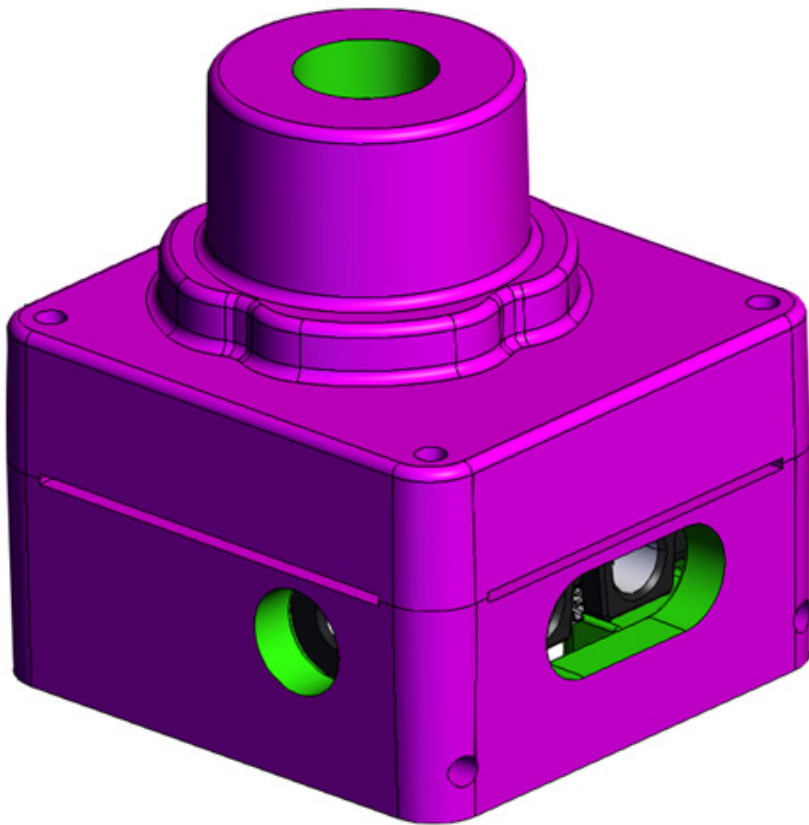




Field or Factory Installable **K-MASS**[®] *FI* Intumescent
Epoxy Shells for New or Installed Limit Switches



K-MASS *FI*
INSTALLATION MANUAL

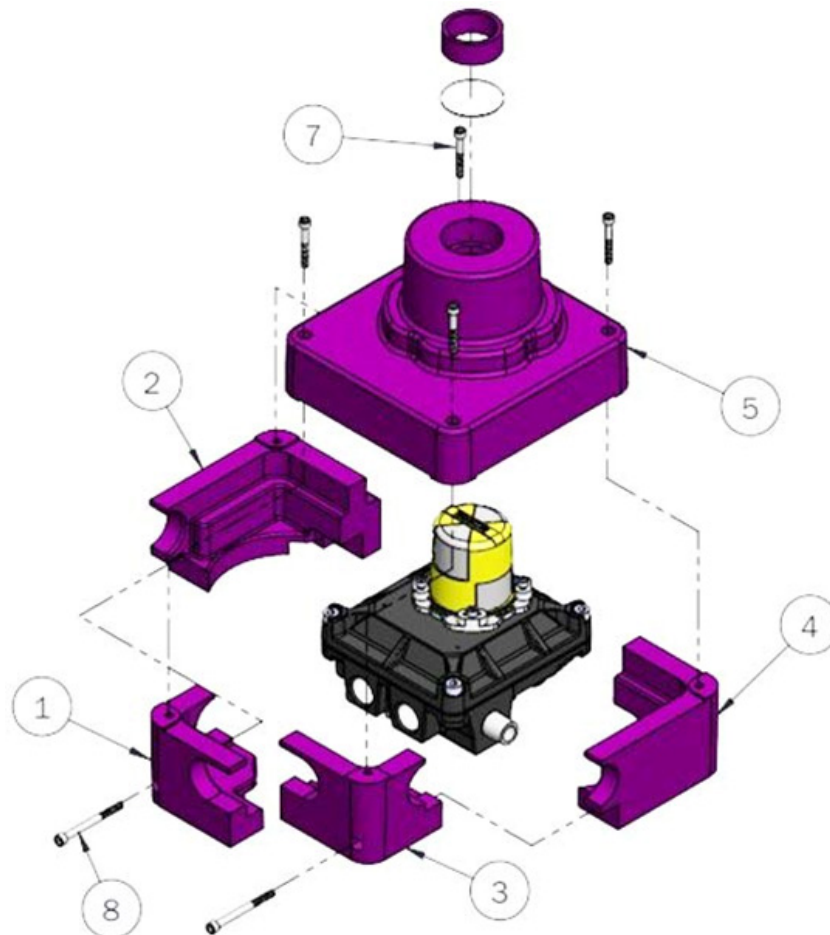
WESTLOCK C-9479 LIMIT SWITCH

WESTLOCK C-9479 Limit Switch

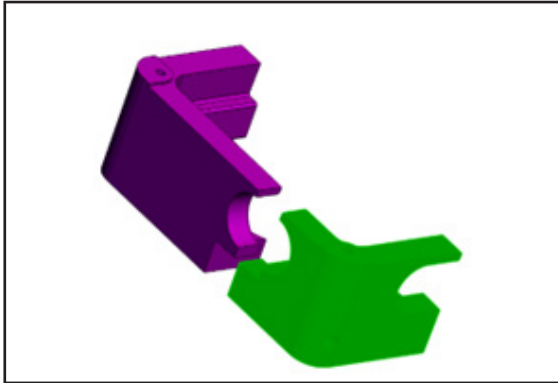
| Part Numbers | | | |
|--------------|------------------------------|---------------------|-----|
| Item | Description | Part Numbers | Qty |
| 1 | C-9479 Bracket Split 1 Shell | FWSLK-34-22851-0111 | 1 |
| 2 | C-9479 Bracket Split 2 Shell | FWSLK-34-22851-0112 | 1 |
| 3 | C-9479 Bracket Split 3 Shell | FWSLK-34-22851-0121 | 1 |
| 4 | C-9479 Bracket Split 4 Shell | FWSLK-34-22851-0122 | 1 |
| 5 | C-9479 Beacon Top Shell | FWSLK-34-22851-0200 | 1 |

| Required Tools and Hardware | |
|-----------------------------|-----|
| Item | Qty |
| 5 mm - Allen Key | 1 |

| Fasteners and Parts included with Kit | | |
|---------------------------------------|-------|-----|
| Type | Size | Qty |
| Socket Head Cap Screw | M6-30 | 6 |

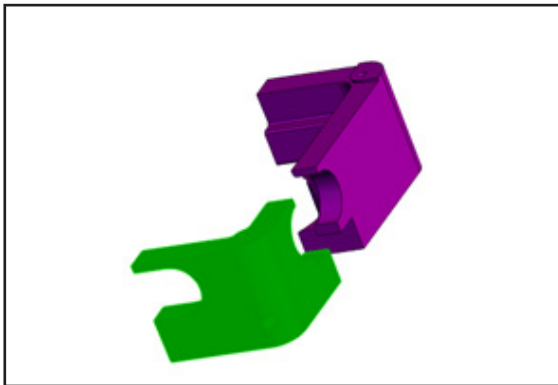


WESTLOCK C-9479 Limit Switch



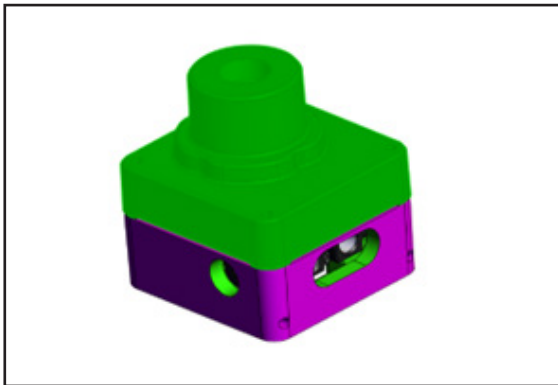
Step 1

Place the Bracket Split 2 Shell (FWSLK-34-22851-0112) under the Limit Switch box and hold it in place. Fit Bracket Split 1 (FWSLK-34-22851-0111) using the (1) M6-30 socket head cap screw.



Step 2

Place the Bracket Split 4 Shell (FWSLK-34-22851-0122) under the limit switch box and hold it in place. Fit Bracket Split 3 Shell (FWSLK-34-22851-0121) using (1) M6-30 socket head cap screw.

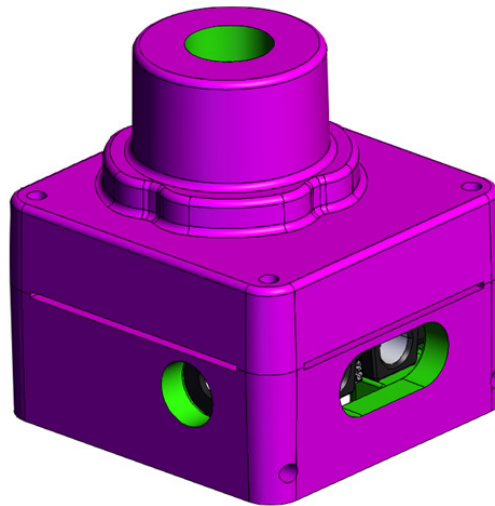


Step 3

Fit the Beacon Top Shell (FWSLK-34-22851-0200) on top of the assembled bracket splits using (4) M6-30 screws.



WESTLOCK C-9479 Limit Switch Installation Manual



*Safety is our top priority. Ensure all safety measures are adhered to in accordance with the site, location and regulatory standards. Assemble all fasteners loosely at first, and hand-tighten upon completion of assembly. Do NOT over torque any fasteners, doing so could damage the threaded insert or **K-MASS**.*

Thermal Designs, Inc. - United States
5352 Prudence Street
Houston, Texas 77045 USA
Phone: +1 713-433-8110
ussales@tdikmass.com

Thermal Designs LTD UK - United Kingdom
The Broadway Market Lavington Devizes
Wiltshire, England UK SN10 5RQ
Phone: +44 (0) 1380 816079
uksales@tdikmass.com

Thermal Designs, Inc. - Canada
Unit 1, 5220 Duncan Ave
Blackfalds, Alberta T0M 0J0
Phone: +1 403-391-1578
casales@tdikmass.com